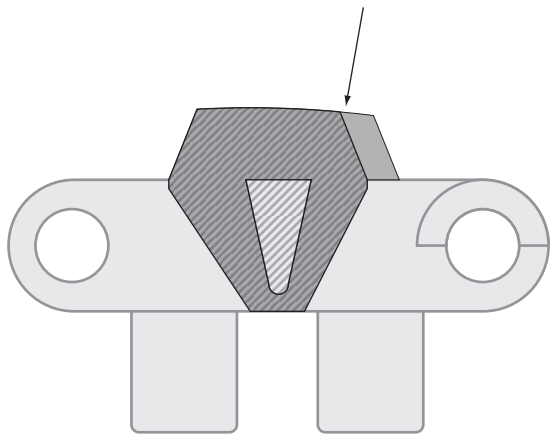
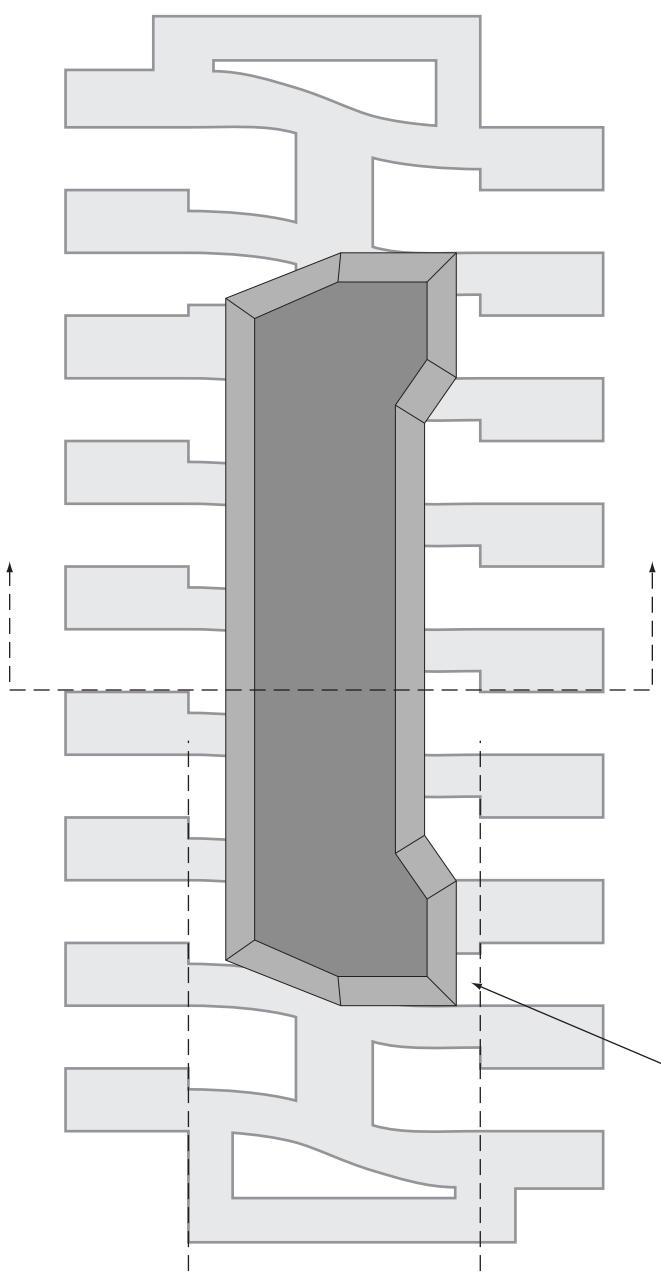


Radius to match contact path with floor



Cleat for Track
shown at 200% size



Section (shown above)

Make certain there is
a 1/16" minimum clearance,
or else mold will be too
weak at this point

Trim off outsides of
track segment to make
mold master